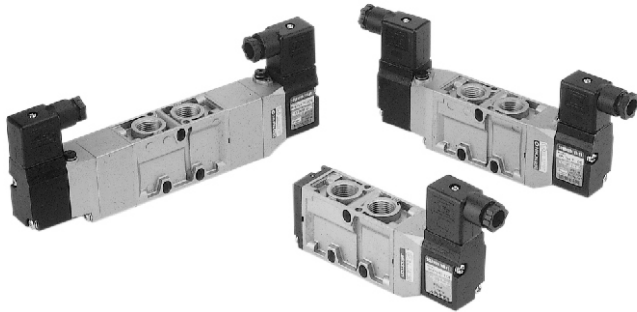


# MVSA-300 series

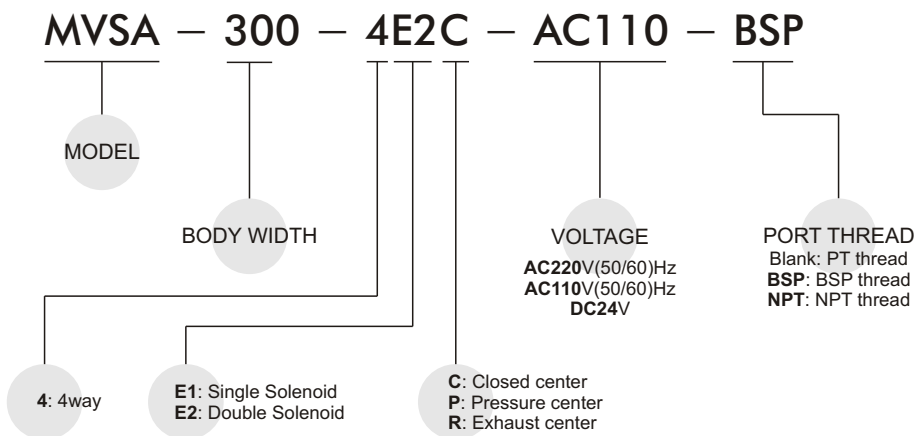
## SOLENOID VALVE



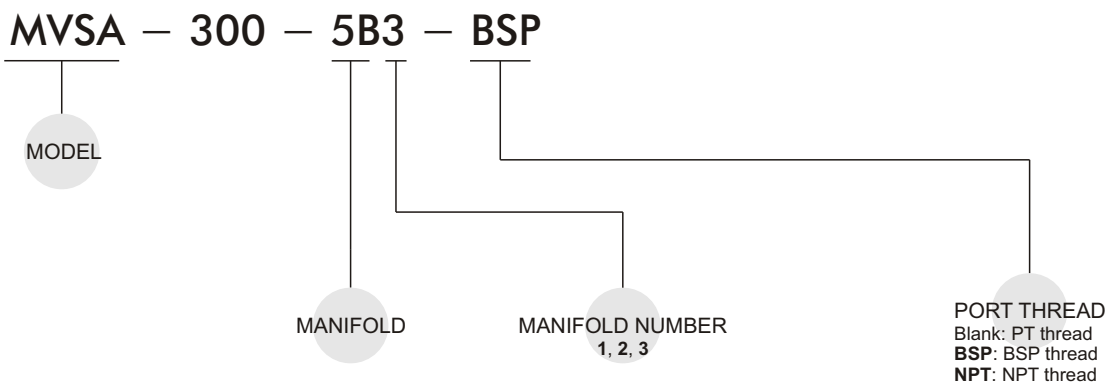
### Specification:

Model	MVSA-300-4E1	MVSA-300-4E2	MVSA-300-4E2C.P.R
Bore No.	10A		
Port size	PT 3/8		
No. of port	5		
No. of position	2	2	3
Medium	Air		
Operating pressure range	2~7 kgf/cm <sup>2</sup>		3~7 kgf/cm <sup>2</sup>
Proof pressure	10 kgf/cm <sup>2</sup>		
Effective orifice	35 mm <sup>2</sup>		25 mm <sup>2</sup>
Response time	50 ms		
Ambient temperature	-5~+50°C (No freezing)		
Voltage	AC110V, 220V (50/60)Hz, DC24V		
Power consumption	AC=3.5VA, DC=3.5W		
Available voltage range	± 10%		
Insulation class	B class		
Weight	410 g	570 g	817 g

### Order example of valve:



### Order example of manifold:



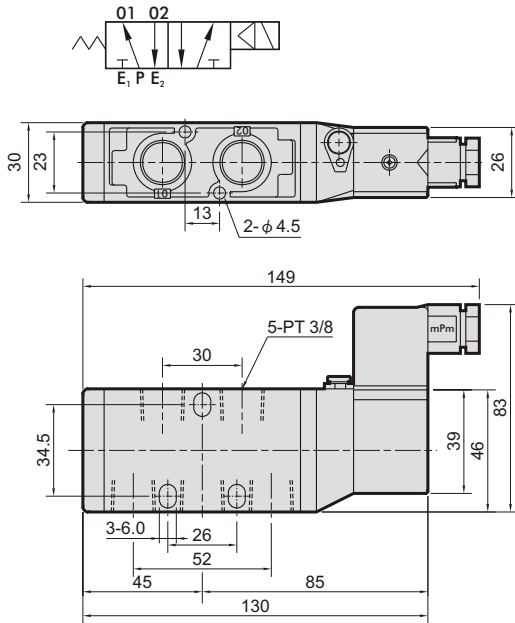
# MVSA-300

## SOLENOID VALVE

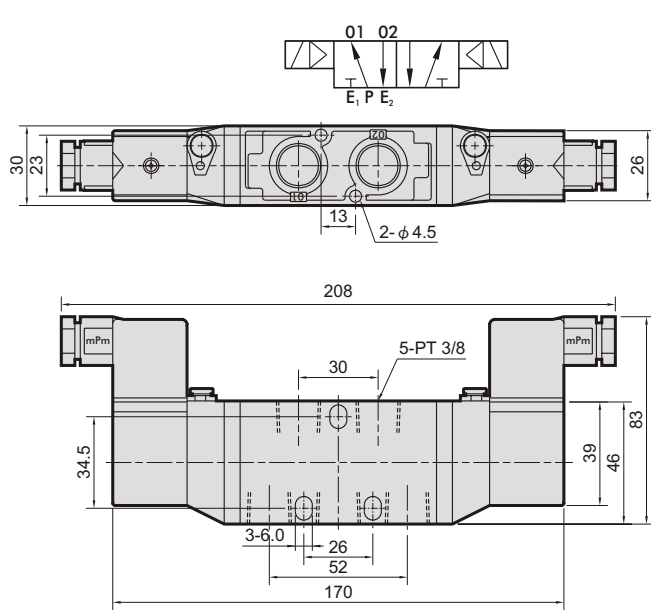


### Dimensions:

#### MVSA-300-4E1



#### MVSA-300-4E2

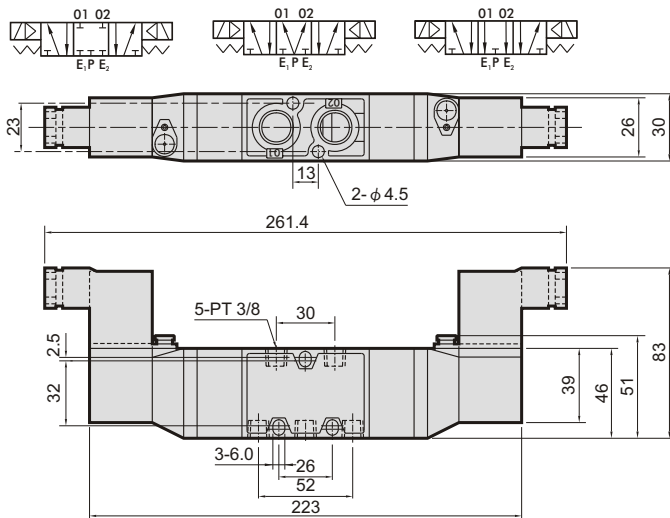


#### MVSA-300-4E2C.P.R

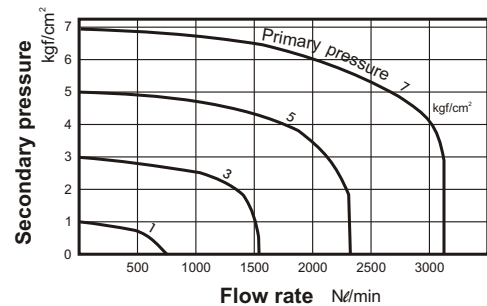
##### MVSA-300-4E2C

##### MVSA-300-4E2P

##### MVSA-300-4E2R



### Flow features:



# MVSA-300

## SOLENOID VALVE



### Manifold of solenoid valve:

#### MVSA-300-5B\*

